

## INVITATION FOR QUOTATION

TEQIP-II/KL/KL1G18/137

03-Jul-2015

To,

**Sub: Invitation for Quotations for supply of Goods**

Dear Sir,

1. You are invited to submit your most competitive quotation for the following goods with item wise detailed specifications given at Annexure I,

Sr. No	Brief Description	Quantity	Delivery Period(In days)	Place of Delivery	Installation Requirement (if any)
1	Desk and Bench	20	55	College of Engineering, Karunagappally	
2	Drawing stool	100	55	College of Engineering, Karunagappally	
3	podium	8	55	College of Engineering, Karunagappally	
4	Work Bench	2	55	College of Engineering, Karunagappally	

2. Government of India has received a credit from the International Development Association (IDA) towards the cost of the Technical Education Quality Improvement



Programme[TEQIP]-Phase II Project and intends to apply part of the proceeds of this credit to eligible payments under the contract for which this invitation for quotations is issued.

3. Quotation,

3.1 The contract shall be for the full quantity as described above.

3.2 Corrections, if any, shall be made by crossing out, initialing, dating and re writing.

3.3 All duties and other levies payable by the supplier under the contract shall be included in the unit price.

3.4 Applicable taxes shall be quoted separately for all items.

3.5 The prices quoted by the bidder shall be fixed for the duration of the contract and shall not be subject to adjustment on any account.

3.6 The Prices should be quoted in Indian Rupees only.

4. Each bidder shall submit only one quotation.

5. Quotation shall remain valid for a period not less than **45** days after the last date of quotation submission.

6. Evaluation of Quotations,

The Purchaser will evaluate and compare the quotations determined to be substantially responsive i.e. which

6.1 are properly signed ; and

6.2 confirm to the terms and conditions, and specifications.

7. The Quotations would be evaluated for all items together.

8. Award of contract:

The Purchaser will award the contract to the bidder whose quotation has been determined to be substantially responsive and who has offered the lowest evaluated quotation price.

8.1 Notwithstanding the above, the Purchaser reserves the right to accept or reject any quotations and to cancel the bidding process and reject all quotations at any time prior to the award of contract.

8.2 The bidder whose bid is accepted will be notified of the award of contract by the Purchaser prior to expiration of the quotation validity period. The terms of the accepted offer shall be incorporated in the purchase order.





9. Payment shall be made in Indian Rupees as follows:

**Delivery and Installation - 0% of total cost**

**Satisfactory Acceptance - 100% of total cost**

10. All supplied items are under warranty of **12** months from the date of successful acceptance of items.

11. You are requested to provide your offer latest by **15:00** hours on **01-August-2015** .

12. Detailed specifications of the items are at Annexure I.

13. Training Clause (if any) nil

14. Testing/Installation Clause (if any) **The item has to be tested for satisfactory performance**

15. Information brochures/ Product catalogue, if any must be accompanied with the quotation clearly indicating the model quoted for.

16. Sealed quotation to be submitted/ delivered at the address mentioned below,

**The Principal, College Of Engineering, Karunagappally, Thodiyoor P O, Karunagappally, Kollam Dist. Kerala State, Pin: 690523**

**The Cover containing quotations shall be superscripted with "Quotation for Furniture: Desk Bench Stool (TEQIP-II/KL/KL1G18/137). Do not open before 15:00 hours on 01-August-2015". Each bidder shall submit only one quotation for the given specifications. Additional multiple options/Offer cannot be considered in the same quotations. The quoted basic total price (A) as in the given format for quotation should be inclusive all charge. (Ex Factory price, excise duties and levies, packing and forwarding, transportation, insurance, other local costs incidental to delivery, warranty/ guaranty commitments and consumables for testing etc.). sales Tax and other tax as payable should be shown separately. (B) as in the given format for quotation.**

**Successful bidder has to execute an agreement in the prescribed format in Kerala Stamp paper worth Rs 100/-. Also has to submit a Security deposit for 5 % of the total amount in the form of bank guaranty or Demand Draft.**

17. We look forward to receiving your quotation and thank you for your interest in this project.



(Authorized Signatory)

Name & Designation

Annexure I

PRINCIPAL  
COLLEGE OF ENGINEERING  
KARUNAGAPPALLY

Sr. No	Item Name	Specifications
1	Desk and Bench	Desk and bench for class room(bench 53" x 16" x 32") desk(53" x 16" x 32")
2	Drawing stool	16"x16"x25 top flat 1" thick(lxbxh) Legs 4 Nos. (2"x2"x25")
3	podium	Wooden podium for class room
4	Work Bench	8'x4'x2.5' Top Flat - 2" thick legs-6nos (4"x4'x2.5')

All wooden items are of Anjiliwood

PRINCIPAL  
COLLEGE OF ENGINEERING  
KARUNAGAPPALLY





**FORMAT FOR QUOTATION SUBMISSION**

(In letterhead of the supplier with seal)

Date: \_\_\_\_\_

To:

\_\_\_\_\_  
\_\_\_\_\_

Sl. No.	Description of goods (with full Specifications)	Qty.	Unit	Quoted Unit rate in Rs. (Including Ex Factory price, excise duty, packing and forwarding, transportation, insurance, other local costs incidental to delivery and warranty/ guaranty commitments)	Total Price (A)	Sales tax and other taxes payable	
						In %	In figures (B)
<b>Total Cost</b>							

Gross Total Cost (A+B): Rs. \_\_\_\_\_

We agree to supply the above goods in accordance with the technical specifications for a total contract price of Rs. \_\_\_\_\_ (Amount in figures) (Rupees \_\_\_\_\_ amount in words) within the period specified in the Invitation for Quotations.

We confirm that the normal commercial warranty/ guarantee of ----- months shall apply to the offered items and we also confirm to agree with terms and conditions as mentioned in the Invitation Letter.

We hereby certify that we have taken steps to ensure that no person acting for us or on our behalf will engage in bribery.

Signature of Supplier

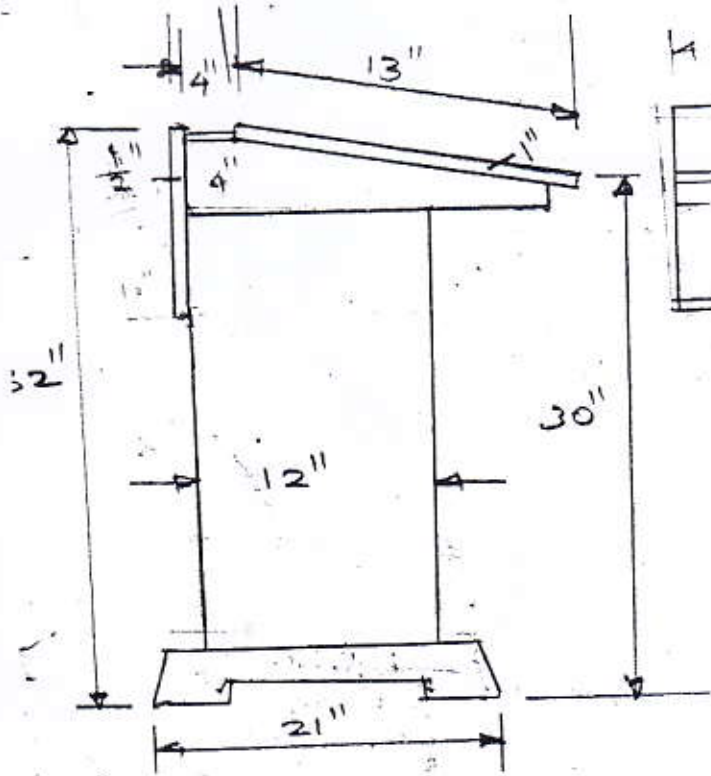
Name: \_\_\_\_\_

Address: \_\_\_\_\_

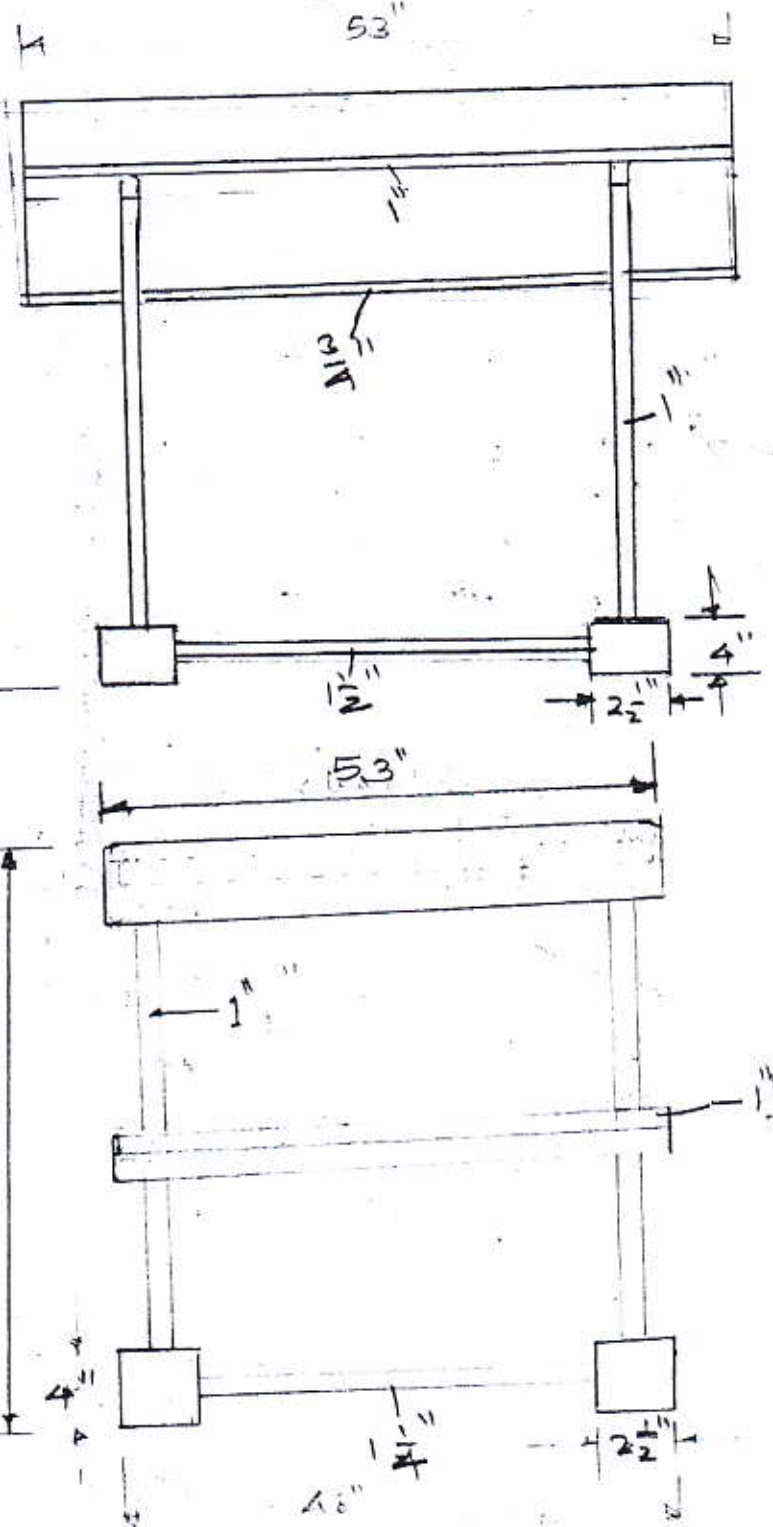
Contact No: \_\_\_\_\_

# CLASS ROOM DESK

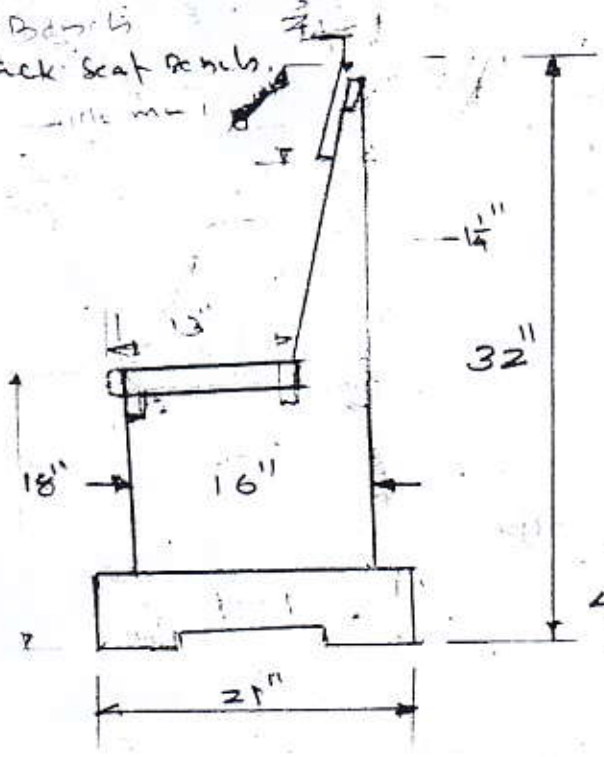
Side View



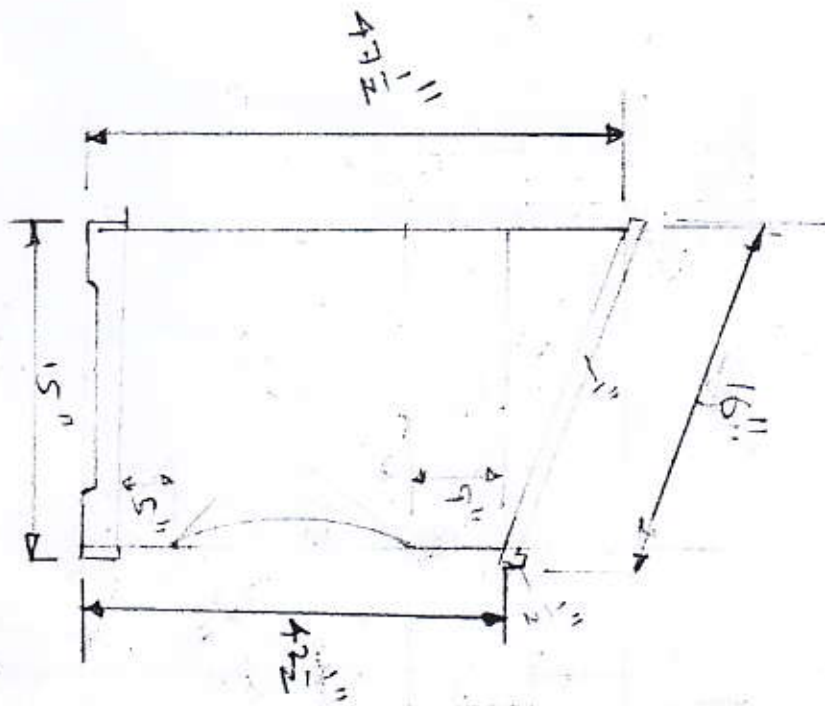
Front View



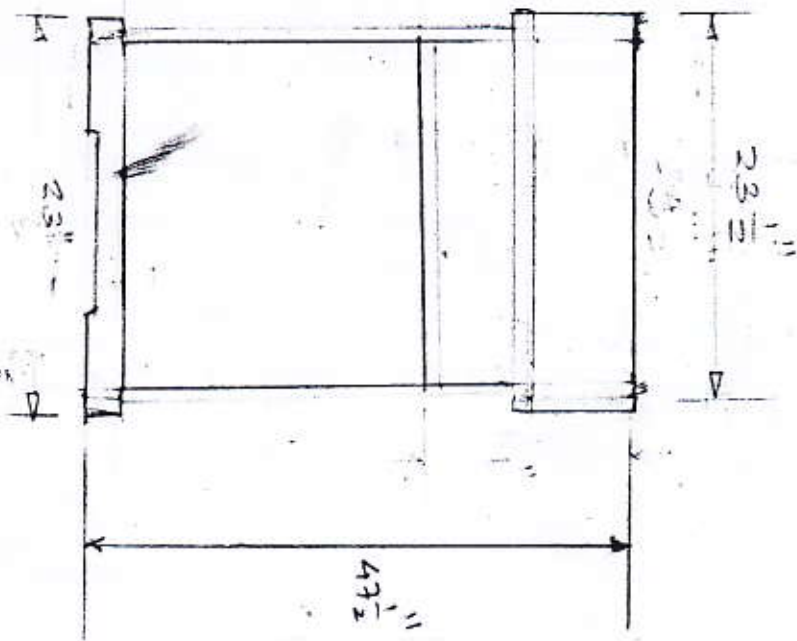
Bench  
Back seat bench



# CLASS ROOM BENCH



1st floor



PODIUM